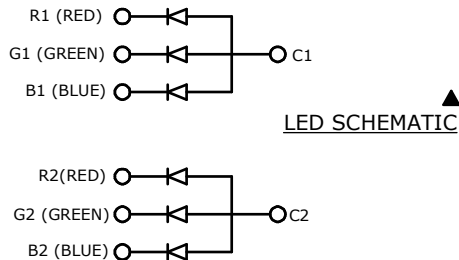
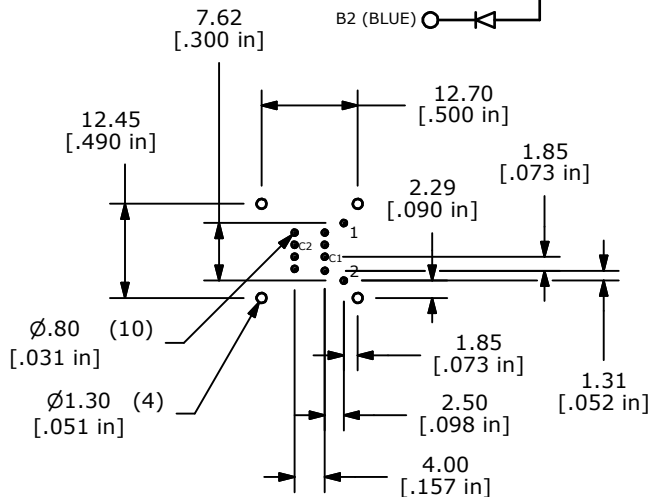


CIRCUIT: SPST
MOMENTARY



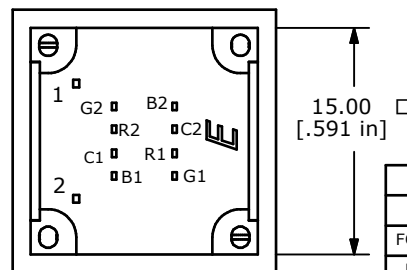
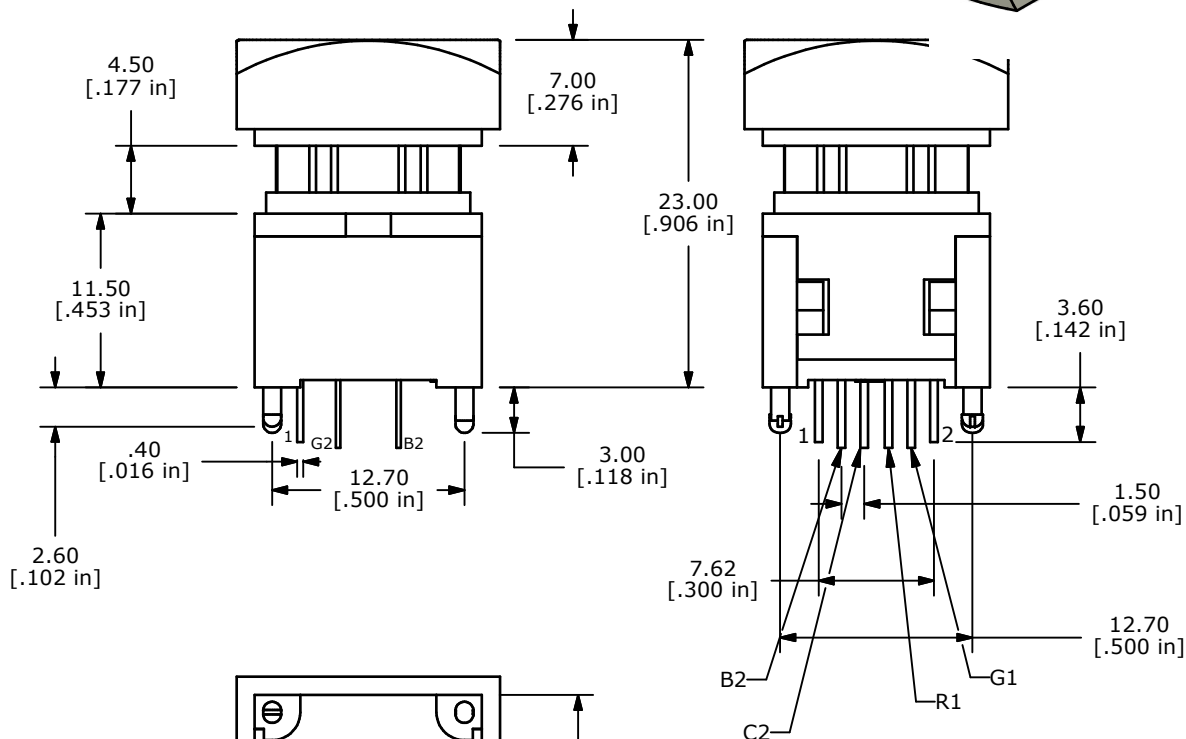
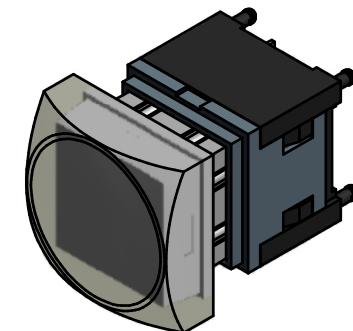
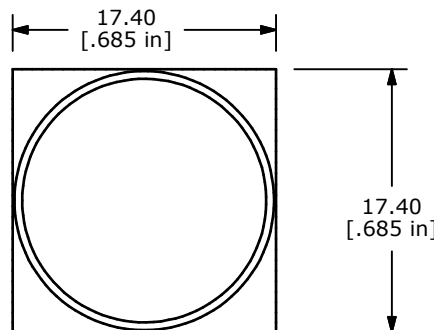
LED SCHEMATIC



PCB LAYOUT

NOTES:

1. ALL DIMENSIONS IN MM [INCH]
2. GENERAL TOLERANCE: X.X=±0.4
X.XX=±0.25
3. TERM. NOS. FOR REFERENCE ONLY.
4. RATING: 100mA @ 12VDC
5. CONTACT MATERIAL: GOLD PLATED
6. CONTACT RESISTANCE: 200 Milli-OHM MAX.
7. INSULATION RESISTANCE: 500VDC, 100 MEGA-OHM MIN.
8. OPERATING FORCE: 250 ± 100GF
9. MECHANICAL LIFE: 1,000,000 CYCLES
10. OPERATING TEMP: -20°C TO +70°C
- ▲ 11. LED COLORS: RED - GREEN - BLUE
12. TRAVEL: 4.50mm±0.20
13. 2002/95/EC (ROHS) COMPLIANT
14. ▲ DENOTES CRITICAL PARAMETER.



LED SPECS	UNITS	RED	GREEN	BLUE
FORWARD CURRENT	mA	20	20	20
FORWARD VOLTAGE @20mA (typ-max)	V	1.95-2.5	3.3-4.1	3.3-4.0
LUMINOUS INTENSITY @ 20mA (typ)	MCD	250	900	130

REV	PCR NO	DESCRIPTION	DATE	BY
D	21454	CHANGE CONTACT MATERIAL TO GOLD	5/13/14	EBP
C	19305	Add LED chart, update Hsg & cover design	9/16/10	rc
B	19090	REVISED PINOUT DESIGNATIONS	5/21/10	rc
A	19033	Release for Production	5/6/10	BLR

THE INFORMATION CONTAINED IN THIS DOCUMENT IS PROPRIETARY TO E-SWITCH AND IS NOT TO BE COPIED OR TRANSFERRED

TITLE LP110A1NCSRGB

SCALE	2	DATE	5/6/2010	DR	BLR	DWG	B230014	REV	D
-------	---	------	----------	----	-----	-----	---------	-----	---